

Four Function Spa Side Remote

⚠ WARNING

FOR YOUR SAFETY: This product must be installed and serviced by a professional pool/spa service technician. The procedures in this instruction sheet must be followed exactly. Turn off all power at the breaker panel before proceeding with these instructions. Failure to do so could result in an electrical hazard which could result in death or serious injury due to electrical shock, and may also cause damage to property.

The Four Function Spa Side Remote is a double insulated, submersible device which is ETL listed (to UL Standard 1563) for installation at the water's edge. It is typically installed at the tile-line of the spa wall, or in the deck within arm's reach of the spa. It can be used with a gunite spa, acrylic spa, or hot-tub.

When installing the Four Function Remote, it is important to make provisions for this hard-wired remote **before the pool/spa construction is complete** by running electrical conduit from the desired remote location to the future Power Center location. **Do not install the Four Function Remote until construction of spa and deck is complete.**

Installation Instructions for Concrete/Tile Line

1. Install a 6" (minimum) piece of 1½" or 1" Schedule 40 PVC pipe in the pool/spa wall so that the Four Function Remote will not be constantly submerged, see Figure 1. A 1½" to 1" Adapter is included for use if 1½" PVC pipe is being used. This pipe will house the remote installed vertically in the wall of the pool or spa. Carefully trim the end of the pipe flush with the wall after all tile work is completed. There must be least 2" of clearance from coping stones or other raised objects to the Schedule 40 pipe.
2. Install a ½" or ¾" reducer to the bottom of the 6" piece of pipe and run a ½" or ¾" electrical conduit underground from the reducer to the future AquaLink® RS Power Center location (see AquaLink® RS Installation Manual for further details on Power Center). Use sweep elbows (do not use 90° elbows) for turns so that you can easily pull the remote cable later.
3. Use a snake (or similar tool) to pull the Four Function Remote cable through the conduit to the Power Center.

4. At the Power Center, feed the remote cable into the low voltage compartment (left-hand side). Strip the cable jacket 4" and strip each wire ¼". Use the P.C. Board Wiring Diagram on the inside of the Power Center door to locate the Four Function Remote terminals. Wire the remote according to the diagram.
5. At the Remote mounting location, press (do not screw) the Four Function Remote into the PVC pipe.

NOTE Do not alter the Four Function Remote housing. Cutting the housing may damage its seal and will void the warranty.

When replacing an old, threaded body style remote with a new four function remote, place 1/8" bead of silicone sealant around base of remote and let cure. Add extra silicone sealant and install remote into threaded adapter.

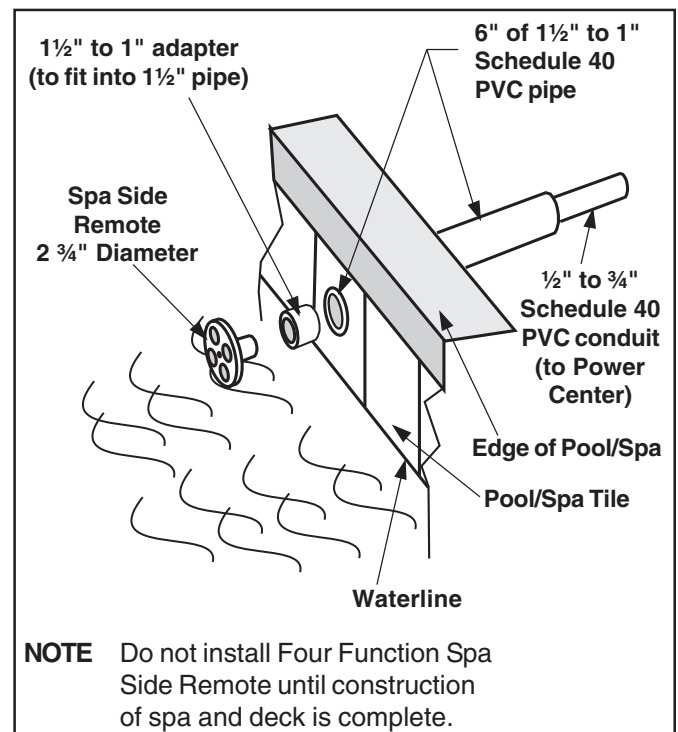


Figure 1. Spa Side Remote Installation for Concrete/Tile

Installation Instructions for Spa Shell/Wood Deck

1. Cut a 1" diameter hole in the spa shell or deck at the mounting location that will be convenient to the pool/spa owner, see Figure 2. The remote should be installed within arm's reach of the water. This hole will house the Four Function Remote.
2. Run a 1/2" or 3/4" conduit underground from the spa shell or deck to the Power Center. Use sweep elbows for turns so that you can easily pull the Four Function Remote cable through the conduit.
3. Feed a snake or similar tool from the Power Center through conduit to the remote mounting location. Feed the Four Function Remote cable through the 1" hole in the deck or spa, and then through the 1 1/2" to 1" adapter. Remove the O-Ring from the remote, then push the remote through the hole in the deck (see Fig. 2). Connect the remote cable to the snake and use the snake to pull the cable through the conduit to the Power Center.

4. At the Power Center, feed the remote cable into the low voltage compartment (left-hand side). Strip the cable jacket 4" and strip each wire 1/4". Use the P.C. Board Wiring Diagram on the inside of the Power Center door to locate the Four Function Remote terminals. Wire the remote according to the diagram.

NOTE The Terminal Bar, used for connecting the Four Function Remote to the AquaLink RS Power Center P.C. Board, is now included with the Four Function Remote instead of with the Power Center P.C. Board.

If this Terminal Bar is not included with your Four Function Remote, contact your authorized AquaLink RS distributor to obtain a new Four Function Remote that includes the Terminal Bar.

If this is not possible, you can also obtain a Remote Terminal Bar by contacting Jandy at 707-776-8200 ext. 260.

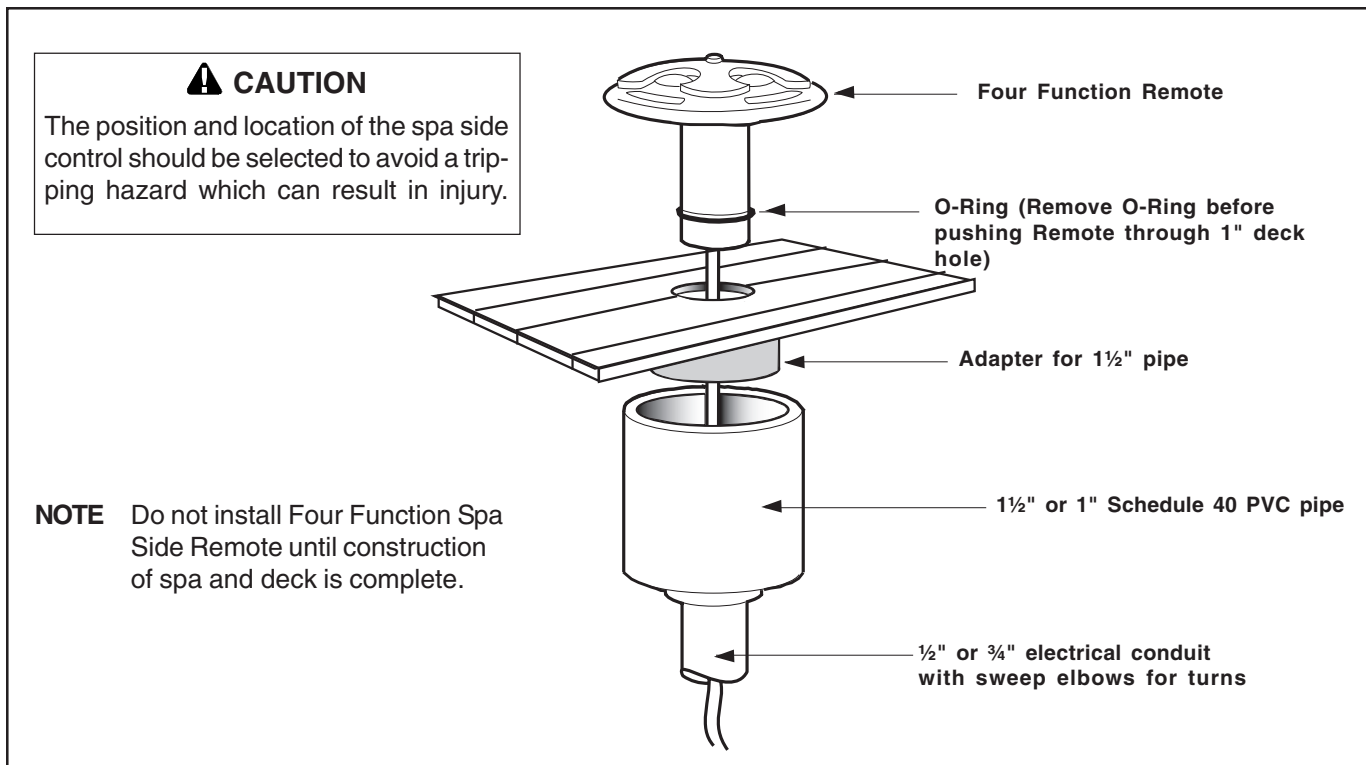


Figure 2. Spa Side Remote Installation for Spa Shell/Wood Deck